

Backlight Replacement Guide

Thank you for purchasing the PS300-BU00 replacement backlight.

Be sure to read the following Backlight Replacement Warnings prior to replacing your GP/GLC's backlight.

This replacement backlight package contains the following:

GP/GLC Model	Backlight Model No.
GP-2300L	PS300-BU00
GP-2301L	
GP-2300S	
GP-2301S	
GLC2300L	

If this backlight is not appropriate for your GP/GLC or does not function correctly, please contact your local authorized GP/GLC representative.

WARNINGS

- Be sure the GP/GLC's power cord has been disconnected prior to changing the backlight. When the GP/GLC's power cord is connected and the GP/GLC is ON, high voltage runs through the wires in the backlight area - do not touch them!
- When the GP/GLC's power cord has just been disconnected, the backlight area is still very hot! Be sure to wear gloves to prevent being burned.
- The backlight is very fragile. Do not touch the glass tube directly or try to remove its power cord. If the glass tube breaks you may be injured.



- *Do not allow water, oil or fingerprints to remain on the tube, since they can all reduce the backlight's life.*
- *When replacing the backlight, be sure to use the correct model backlight. (Model No: PS300-BU00)*

◆ Package Contents

- One (1) Replacement Backlight (Model:PS300-BU00)

◆ Items Required When Changing The GP/GLC's Backlight

- Phillips screwdriver (no. 2) for GP/GLC's cover attachment screws.
- One pair of clean (preferably new) cotton gloves.

■ Backlight Replacement

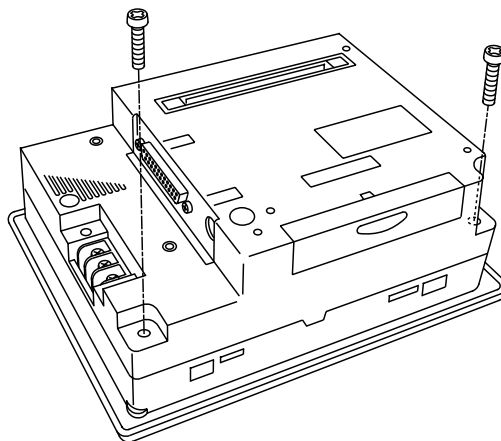
Use the following steps to change the backlight.



Note: *The backlight unit includes both the tube and holder. Do not attempt to separate the two, since the unit could break and cause an injury.*

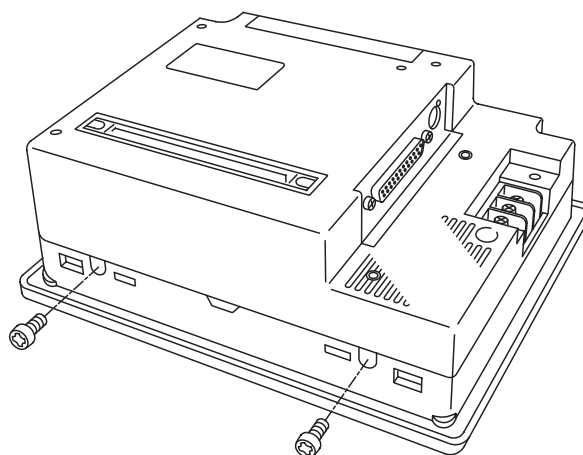
◆ GP-2300L/2301L/2300S/2301S, GLC2300L Series Unit Backlight Replacement

- 1) Turn OFF the GP/GLC unit's power supply. Unscrew the unit's two (2) Rear Cover attachment screws.



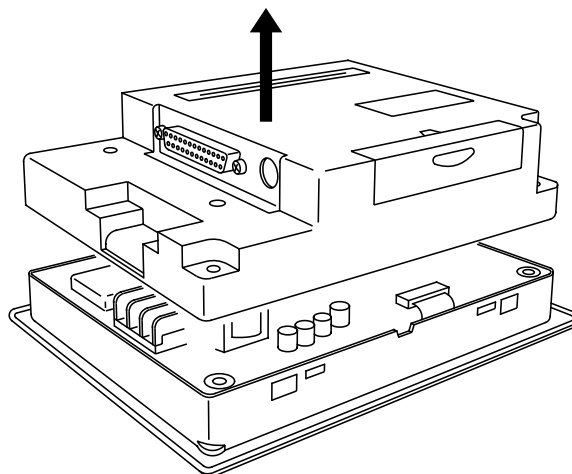
Since the attachment screws are small, be sure not to lose them or allow them to fall inside the GP/GLC's case.

- 2) Remove the unit's two (2) top face attachment screws.



The attachment screws removed in step 1 and step 2 are different lengths. Be sure to use the correct type when reattaching the screws.

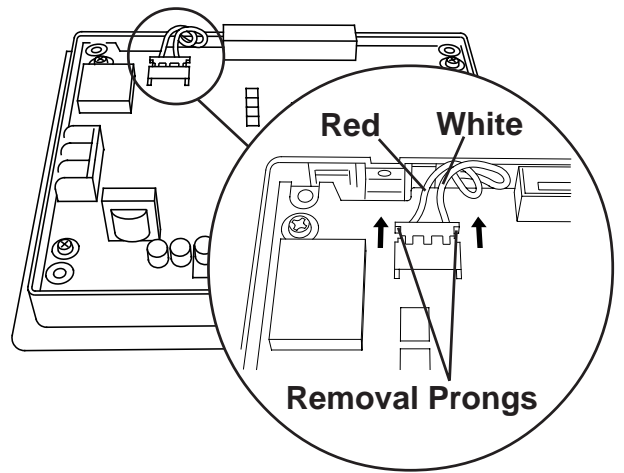
- 3) Pull the unit's Rear Cover straight up to remove it.



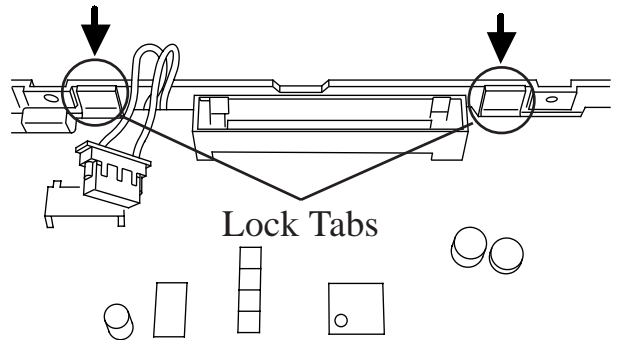
- 4) Detach the backlight unit's power connector from the display module by grasping both of the connector's removal prongs and pulling gently upwards.



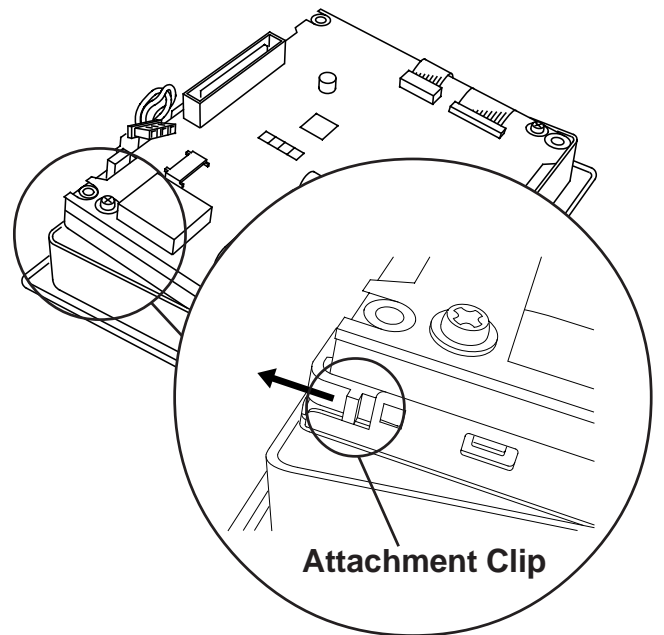
Do not pull the connector so strongly as to stretch or break either of the connector wires.



- 5) The upper portion of the display module has two lock tabs. To separate the display module from the unit's front cover, push in on these tabs and lift the module up slightly.

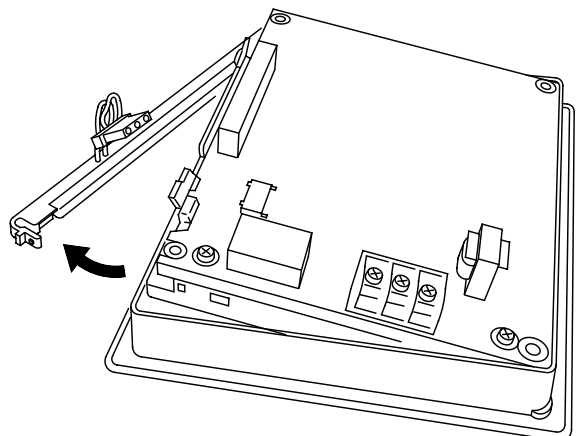


- 6) To remove the backlight, press in on the left side's attachment clip while pushing upwards.



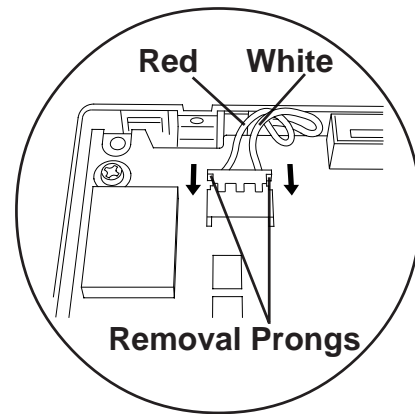
- 7) Continue to push the backlight up until it is free of the holder.

- 8) To insert the new backlight, simply reverse step 7.



9) To reattach the display module and the front face cover, simply reverse step 5.

10) To reattach the backlight power connector to the display module, push the connector end into the display module's power receptacle. Be sure the connector's wires are aligned as shown in the figure, with white on the right and red on the left. (Reverse of step 4)



11) Reattach the front and rear face covers by reversing steps 1 to 3.



- *Be sure not to pinch or cut any of the GP/GLC unit's internal wiring when closing the case.*
- *If any of the attachment screws becomes misplaced, check to be sure that they have not fallen inside the GP/GLC. If a screw has fallen inside the GP/GLC, do not connect the unit's power cord until it has been removed.*

After changing the backlight, be sure to check that your GP/GLC display operates correctly. If a problem occurs, contact your local GP/GLC distributor.

Note

Please be aware that Digital Electronics Corporation shall not be held liable by the user for any damages, losses, or third party claims arising from the uses of this product.

Digital Electronics Corporation

8-2-52 Nanko Higashi, Suminoe-ku, Osaka 559-0031, Japan

URL: <http://www.pro-face.com/>