

Backlight Replacement Guide

Thank you for purchasing the CA3-BLU15-01 replacement backlight.

Be sure to read the following Backlight Replacement Warnings prior to replacing your PS-A/FP unit's backlight.

This replacement backlight package contains the following:

Model Name	Backlight Model
PS-3700A	CA3-BLU15-01
PS-3701A	
FP-3700T	

If this backlight is not appropriate for your PS-A/FP or does not function correctly, please contact your local authorized PS-A/FP representative.

WARNINGS

- Be sure the PS-A/FP unit's power cord has been disconnected before changing the backlight. When the PS-A/FP's power cord is connected and the power supply is ON, high voltage runs through the wires in the backlight area.
- After the PS-A/FP unit's power cord is disconnected, the backlight area will remain hot for a short period. Be sure to wear gloves to prevent burns.
- Do not touch the backlight unit's glass tube directly or try to remove its power cord. If the glass tube breaks you may be injured.



- *Do not allow water, oil or fingerprints to remain on the tube, since they can all reduce the backlight's life.*
- *Change the entire backlight unit, i.e. both the tube and holder.*

◆ Package Contents

- Two (2) replacement backlights (Model:CA3-BLU15-01)
- Two (2) attachment screws (To be used if original screws are lost)

◆ Items Required When Changing The PS-A/FP's Backlight

- Phillips screwdriver (no. 2) for PS-A/FP's rear cover attachment screws.
- Phillips screwdriver (no. 0) for backlight unit's metal cover.
- One pair of clean (preferably new) cotton gloves.

Also, Pro-face recommends you prepare a small container for keeping all screws removed during the replacement process.

■ Backlight Replacement

Follow the procedure given below to replace the unit's backlight. This procedure is for the PS-3700A Series unit.

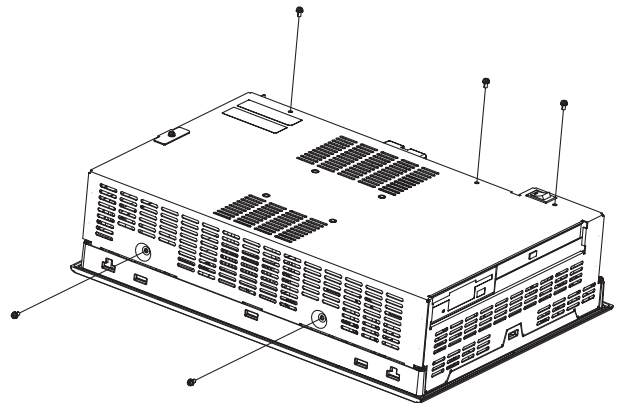


- Be sure to protect the PS-A front panel's surface to prevent damage.
- The PS-A has an upper and a lower backlight. Be sure to replace both.
- Dispose of the old CCLF backlights according to your local, applicable laws and regulations.

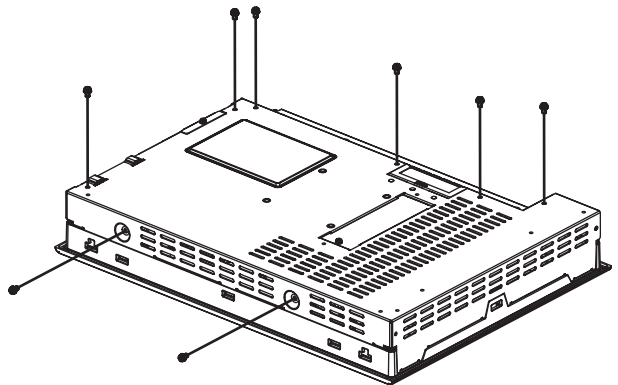
- 1) Turn off the PS-A unit's power supply. Remove the five (5) rear face attachment screws, and detach the rear cover. (PS-3701A and FP-3700T units have eight (8) screws each.)



Do not let the attachment screws fall inside the PS-A.

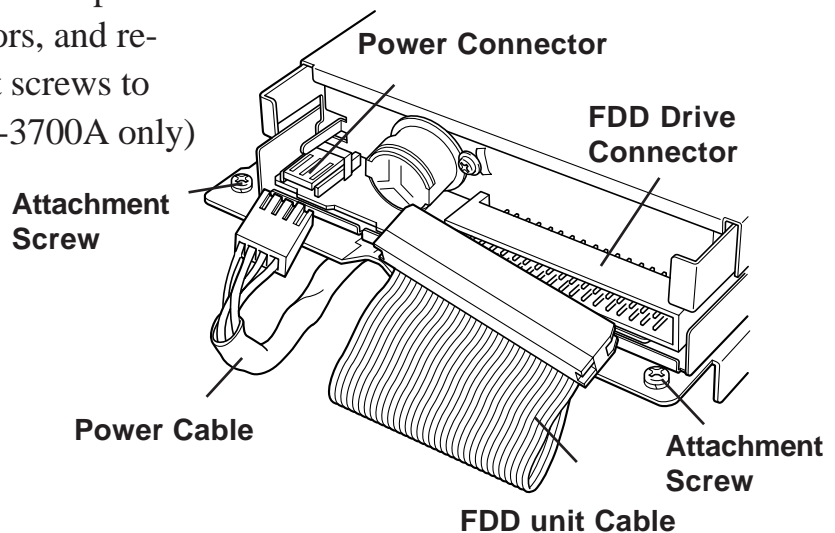


PS-3700A

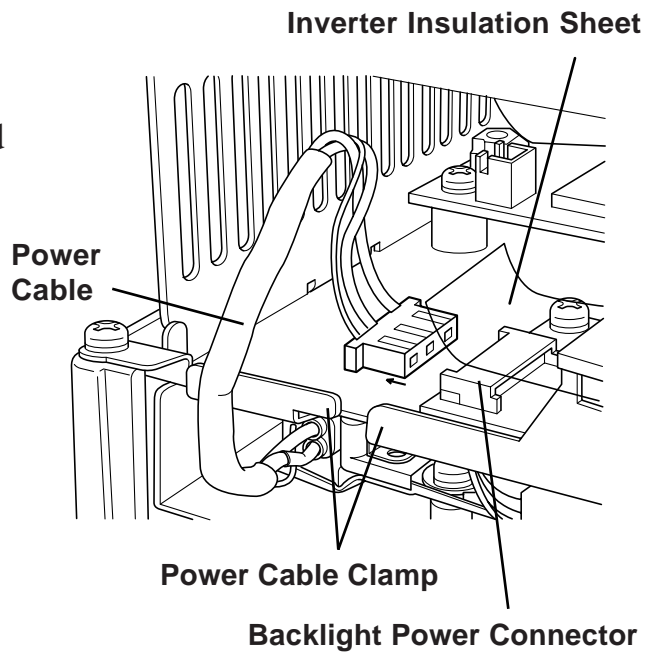


PS-3701A / FP-3700T

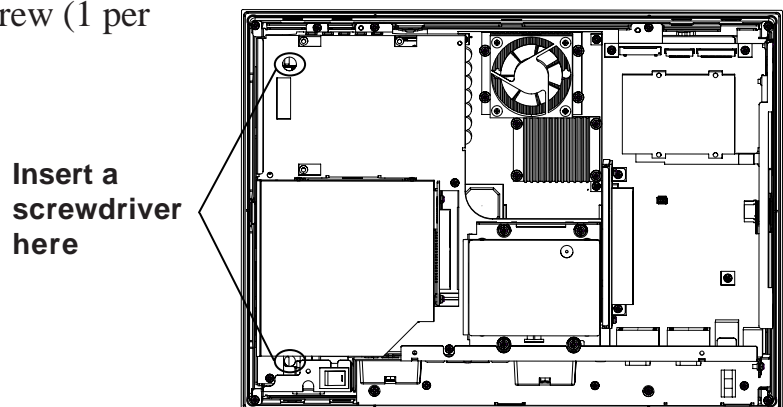
- 2) Detach the FDD unit cable and power cable from their connectors, and remove the two attachment screws to detach the FDD unit. (PS-3700A only)



- 3) Bend the Inverter's Insulation Sheet back to expose the backlight's power cable and connector. Next, free the excess cable from the cable clamp and expose the cable connector. Hold the power cable connector and pull it out of the backlight power connector.



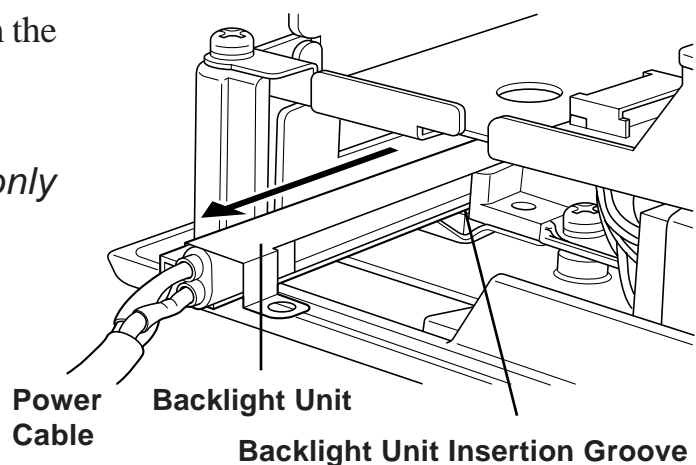
- 4) Insert a screwdriver each of the two holes (points) shown at right, and remove each backlight set screw (1 per hole).



- 5) Pull out the backlight power cable in the direction shown by the arrow. The backlight unit will then detach from the backlight unit holder.



The entire backlight unit should be changed, not only the backlight.



- 6) Insert each new backlight unit into its backlight holder.
- 7) Secure both backlights in place using the backlight set screws (opposite of step (4)). The necessary torque is 0.147N•m (1.5kgf•cm).
- 8) Connect each new backlight's power cable connector to the Inverter board's backlight connector. Position the excess cable in place inside the cable clamp, and cover the cable and connector with the Inverter Insulation Sheet. (opposite of step (3))



Be sure the cable is inserted completely into the backlight connector. Failure to do so may cause arcing, which can damage the connector.

Be sure to always change both PS-A unit backlights at the same time.

- 9) Replace the FDD unit in its original position and secure it in place using the two (2) attachment screws. The necessary torque is 0.5N•m to 0.6N•m. Reconnect the FDD unit cable and power cable (opposite of step (2)).
(PS-3700A only)
- 10) Replace the PS-A unit's rear cover and secure it in place using the five (5) attachment screws. (PS-3701A and FP-3700T units have eight (8) screws each.)



The cable clamp is used to hold excess cable in place and prevent the cable from being caught and possibly damaged. Be sure to insert extra cable in the cable clamp before replacing the rear cover.

After backlight replacement is completed, turn the PS-A/FP unit's power ON and check if the screen's display is normal. If the display is not correct, please contact the Pro-face distributor from whom you purchased the backlight unit.

Note

Regardless of the above clause, Digital Electronics Corporation shall not be held responsible for any damages or third-party claims for damages or losses resulting from the use of this product.

Digital Electronics Corporation

8-2-52 Nanko Higashi, Suminoe-ku, Osaka 559-0031, Japan

URL: <http://www.pro-face.com/>